



## Butterfly Bench

The Butterfly bench extends the table range with a matching seating. This can be customised with colour staining and be upholstered in fabric, vinyl or leather to suit any interior.

Butterfly is Australian made and designed in an ISO 14001 certified factory.

LEAD TIME  
6-8 weeks

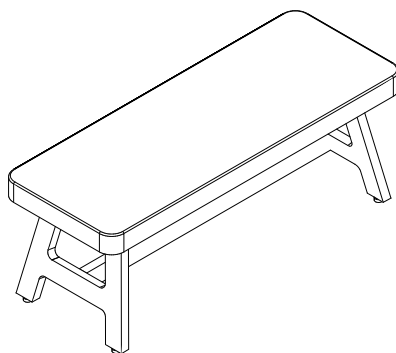
MATERIALS  
50mm birch plywood  
Commercial foam

CERTIFICATIONS  
ISO 14001 Certified Factory

WARRANTY  
5 years

## Configurations

Bench



W1200mm x D450mm x H450mm