

# LuxStudio

## Hedgeline

Complete Commercial Solution

Table + Joinery + Screens





# Hedgeline

Hedgeline has been designed to be fully modular and systemised to create screens, pods, desking and joinery in a large variety of spaces.

With agile spaces and limited real estate, creating an easy room within a room was the design intent of this line.

This only illustrates just some examples but can easily be customised to suit a project.

Hedgeline's key design lies in separate corner and flat panel modules to create a variety of configurations.

This allows it to be flat packed and assembled on site.

Hedgeline comes in a variety of finishes that include laminate/melamine, veneer, cork, upholstery, and powdercoated aluminium.

Lead time 5-6 weeks

Warranty 5 years

Certified ISO 14001

---

## Design Limits

Hedgeline is highly versatile with only two easy design limitations to consider which are:

- 90 degree corners
- 300mm minimum per side

## Finish Options

### Panel Finishes

- Both panel faces
  - Fabric
  - Vinyl
  - Cork
  - Veneer
  - Laminate
- Combinations of different panel faces
  - Fabric or Vinyl AND Laminate or Veneer or Cork
- Two-tone on the same panel face
  - Laminate and veneer

### Corner Finishes

- Veneer
- Vinyl
- Cork

---

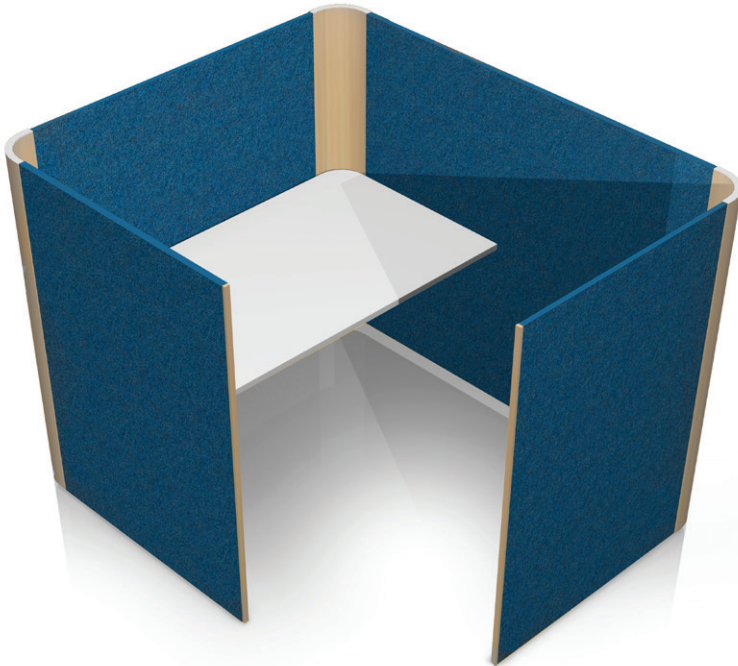
## Desk Wrap

Hedgeline as a desk mounted or floor standing screening.



## Work Pod

A simple private workpod with laminate finish to highlight corners and edges.



---

## Seated Meeting Pod

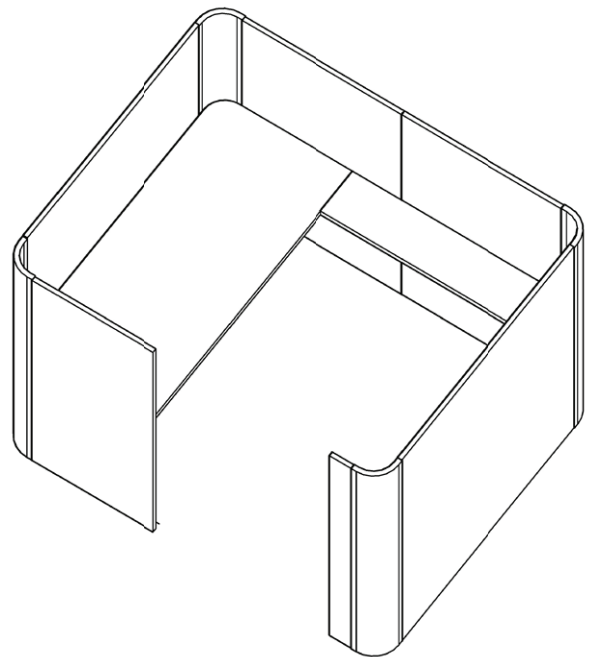
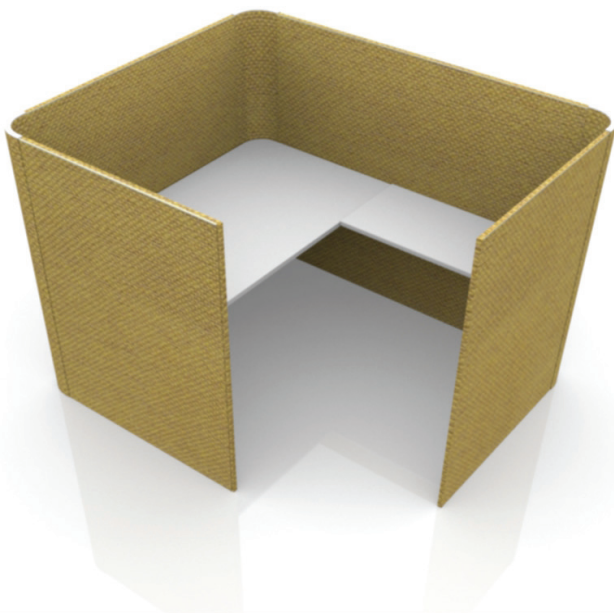
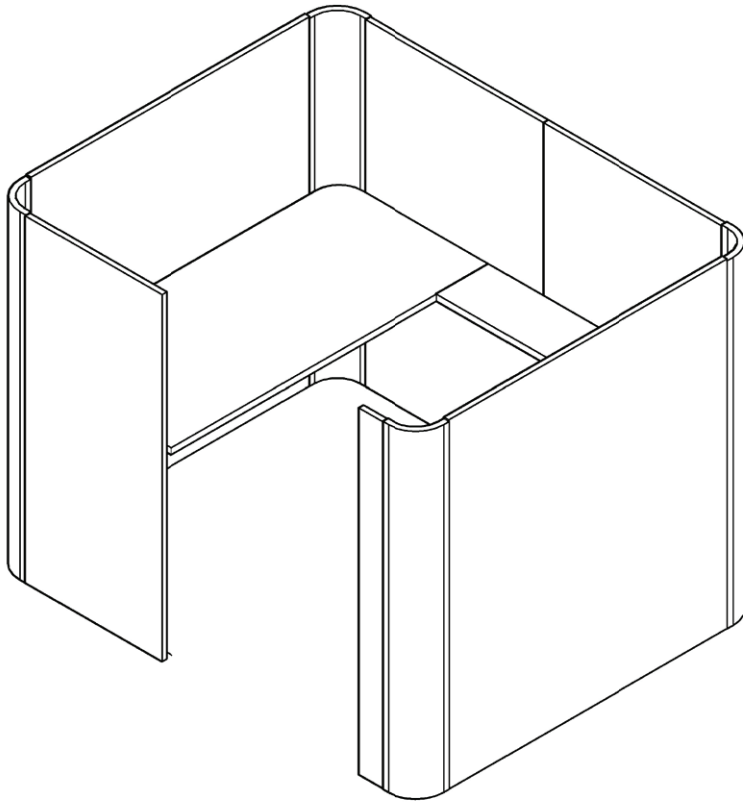
Configured into a private booth space complete with seating and table.



---

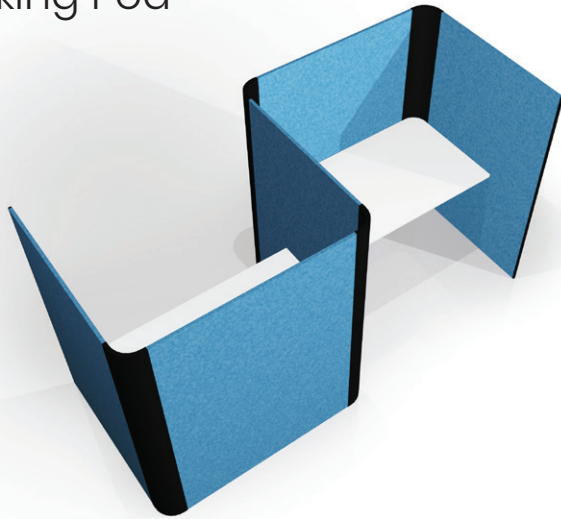
## Work Pod

Complete private workstation with side desking for small peripherals and personal effects

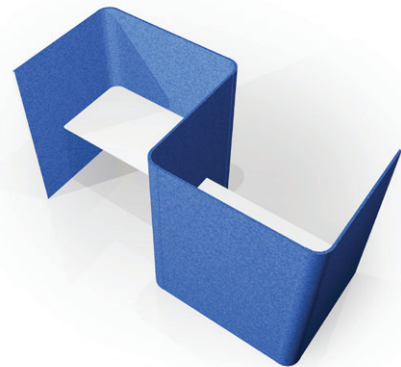
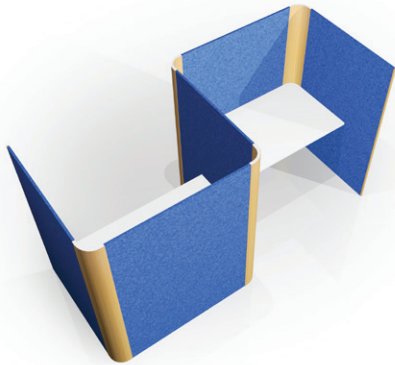


---

## Desking Pod



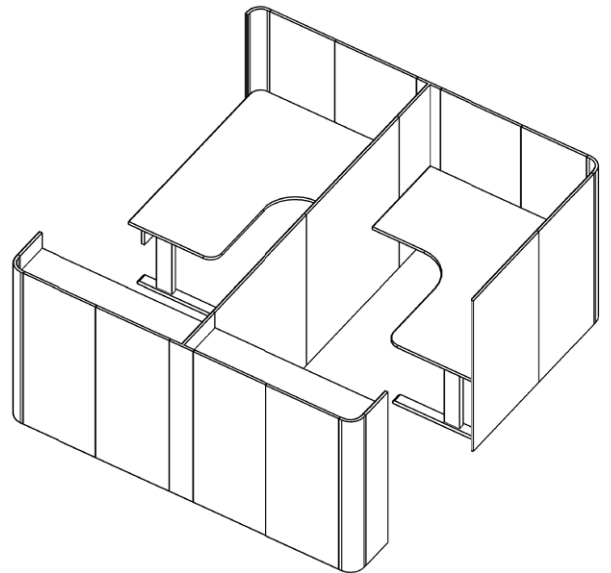
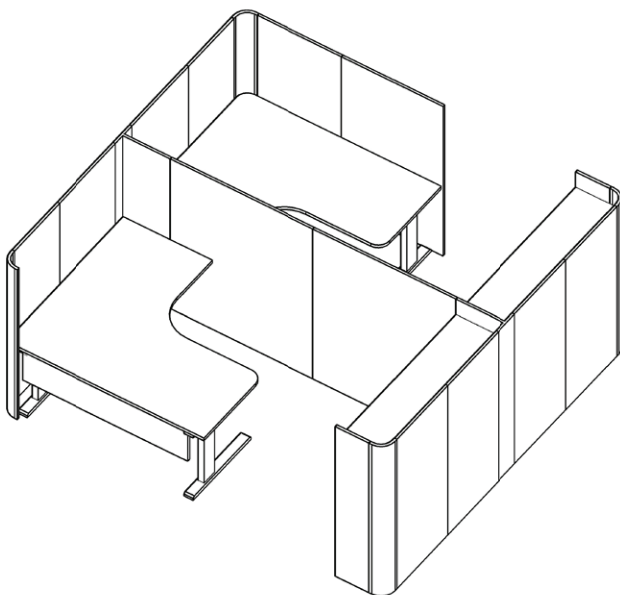
Dual sided desking pods offer an easy, private work retreat. These illustrate the various corner finishes available.



---

## Multi-Office Pods

Separated workstations with own shelving and cabinet, achieving a room-within-a-room within in large spaces.





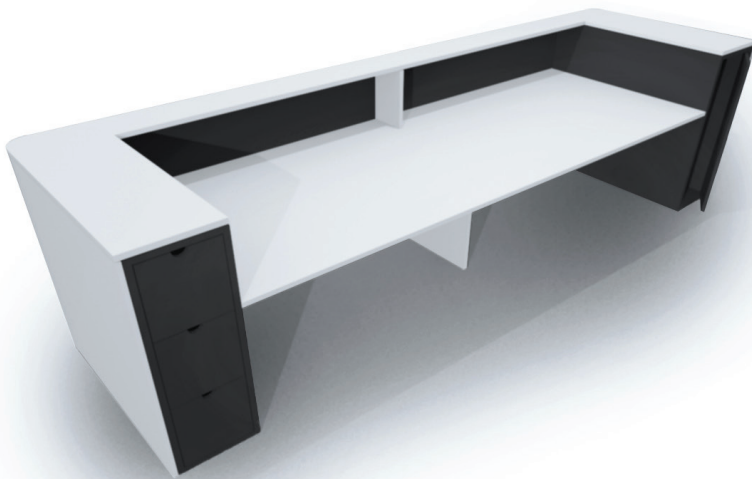
---

## Seclusion/Telephone Booth

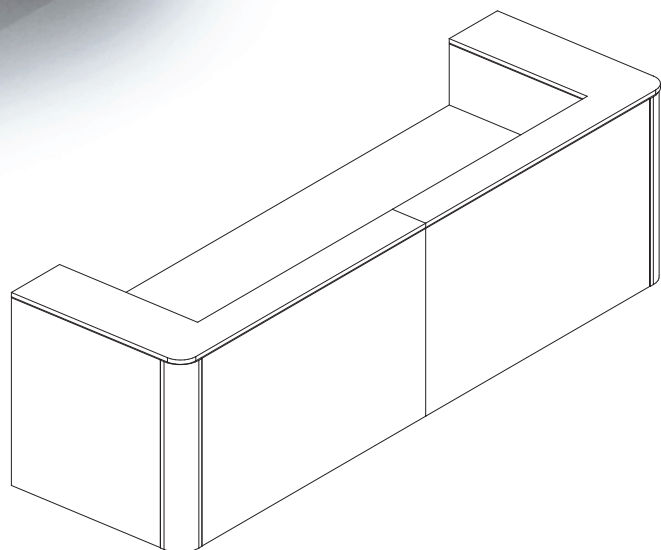


A top and floor added to the Hedgeline allows for an easy telephone booth. PET panel interior walls, carpeted floor and a glass door help minimise noise, and this booth includes a pull-down counter.

## Reception Desk



This counter seamlessly includes drawers and cabinet on the ends.



---

## Desking, Wraparound Screen & Integrated Planter

This desking, planter and screen combination is made Hedgeline in its various formats for a completed look.



## Multi-Use Table System

Hedgeline can be a table system with the ability to have matching or contrasting corners and straight panels, and hold power and data in its base.

